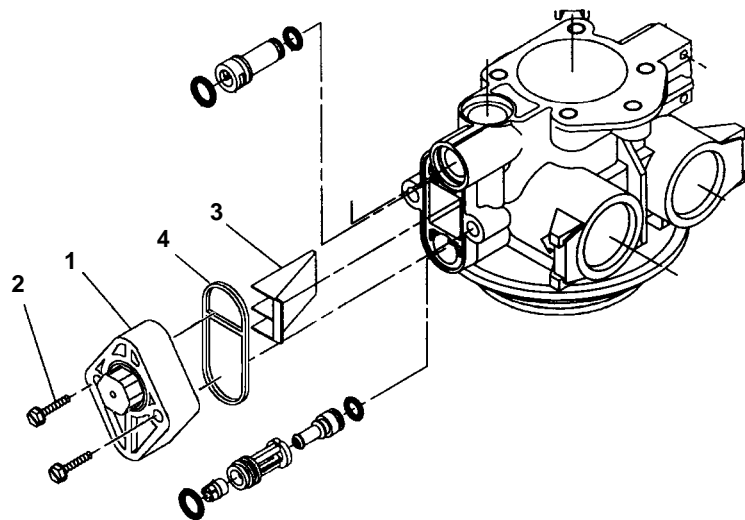


# ProFloSE Upflow

## Control Valve Assembly



### PARTS LIST

Item No.	Quantity	Part No.	Description
1	1	18278-20	Injector Cap, 20 psi
		18278-30	Injector Cap, 30 psi
2	2	18262	Screws
3	1	18271	Screen
4	1	18279	Seal

# ProFloSE Use & Care Guide

## Installation Data - Please fill out for future reference

### General Data:

Installation Date \_\_\_\_\_  
 Installer's Name \_\_\_\_\_  
 Equipment Model \_\_\_\_\_  
 Water Hardness \_\_\_\_\_ US gr/gallon \_\_\_\_\_ mg/l(g/m3) \_\_\_\_\_ meq/l  
 Water Pressure \_\_\_\_\_ Water Temperature \_\_\_\_\_  
 Salt Dosage \_\_\_\_\_ lbs of NaCl/ft3 \_\_\_\_\_ g of NaCl/liter  
 Type of Media \_\_\_\_\_  
 Resin Volume \_\_\_\_\_ ft3 \_\_\_\_\_ liters \_\_\_\_\_ m3  
 System Capacity \_\_\_\_\_ US gr/Regen. \_\_\_\_\_ meq/Regen. \_\_\_\_\_ g/Regen.  
 Regeneration: \_\_\_\_\_ Downflow (Co-current) \_\_\_\_\_ Upflow (Counter-current)

### Flow Controllers:

Brining System 1610  
 Injector # \_\_\_\_\_  
 Drain Line Flow Control (DLFC) \_\_\_\_\_ gpm  
 Brine Line Flow Control (BLFC) \_\_\_\_\_ gpm

### Controller Program:

Display Format:  US/gallons (U-1),  metric/ liters (U-2),  metric/m<sup>3</sup> (U-4)  
 Regeneration Type:  (7-1),  (7-2),  (7-3)  
 Treated Water Capacity \_\_\_\_\_ gallons \_\_\_\_\_ liters \_\_\_\_\_ m3  
 Regeneration Time \_\_\_\_\_  
 Regeneration Day (Override) \_\_\_\_\_ A- \_\_\_\_\_

### Downflow

(1) Backwash \_\_\_\_\_ minutes  
 (2) Brining SR \_\_\_\_\_ minutes  
 (3) Rapid Rinse \_\_\_\_\_ minutes  
 (4) BrineTank Refill \_\_\_\_\_  
 (5) Off

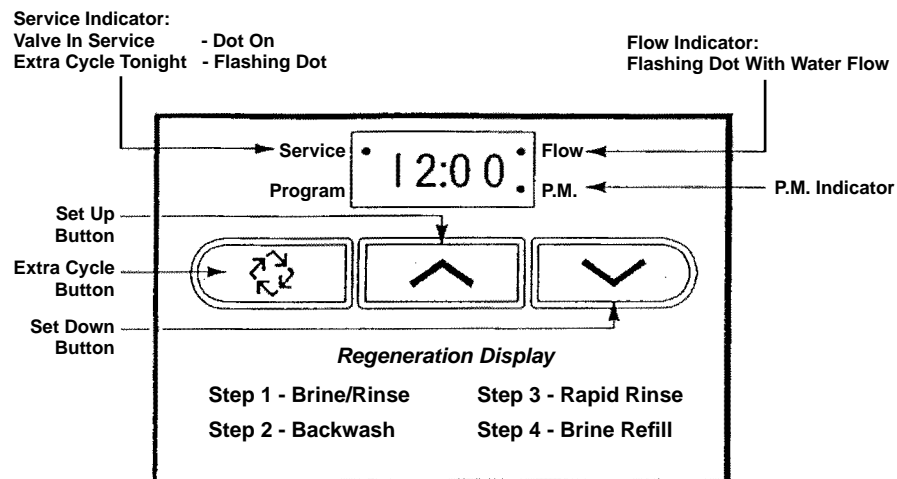
### Upflow

Brining & Slow Rinse \_\_\_\_\_  
 Backwash \_\_\_\_\_  
 Rapid Rinse \_\_\_\_\_  
 Refill \_\_\_\_\_  
 Off

Flow Meter Size  (F131)  
 Valve Type: (O-1)  
 Line Frequency (Hertz)  (LF60)  (LF50)

# ProFloSE Upflow

## Time of Day/Manual Start of Regeneration



Your 5000SE has been programmed for your system. If required to change the program, contact your equipment supplier for assistance.

To access the valve controller, remove the front cover of your water softener.

If the electricity fails, the electronic controller will keep in memory the pre set program. Use the up and down arrows to set the correct time of day.

If you need to manually initiate a regeneration, push and hold the "extra cycle button" for five seconds. The unit will then proceed to regenerate automatically.

### OPERATING TIPS

- Keep the bypass closed at all times. Open the bypass to service the 5000SE valve and to allow hard water to service.
- Keep the salt level at all times above the water in the brine tank.

# ProFloSE Upflow

## Troubleshooting

SYMPTOM	CAUSE	CORRECTION
1. Hard water to service.	<p>A. Softener failed to regenerate.</p> <p>B. Defective timer</p> <p>C. Open bypass.</p> <p>D. Low salt level in brine tank.</p> <p>E. Injector screen plugged.</p>	<p>A. Electrical service interrupted, assure permanent electrical service.</p> <p>B. Call equipment supplier for replacement.</p> <p>C. Close bypass valve.</p> <p>D. Keep salt level above water at all time.</p> <p>E. See attached valve assembly. Remove the 2 screws (2), lift cover (1), pull screen (3) out to clean. Reinstall. Call your equipment supplier if problem persists.</p>
2. Salty water to service.	<p>A. Injector screen plugged.</p>	<p>A. See attached valve assembly. Remove the 2 screws (2), lift cover (1), pull screen (3) out to clean. Reinstall. Call your equipment supplier if problem persists.</p>
3. Valve leaking to drain at service.	<p>A. Internal valve leak.</p>	<p>A. Call your equipment supplier for assistance.</p>