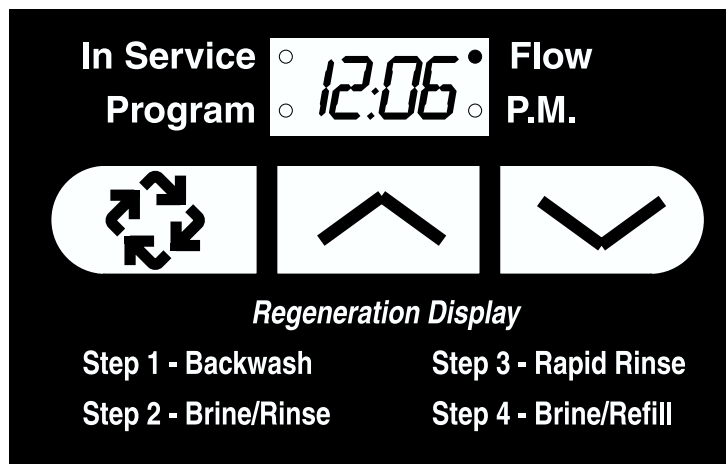


SE TIMER

Supplemental Service Manual



ET040-0

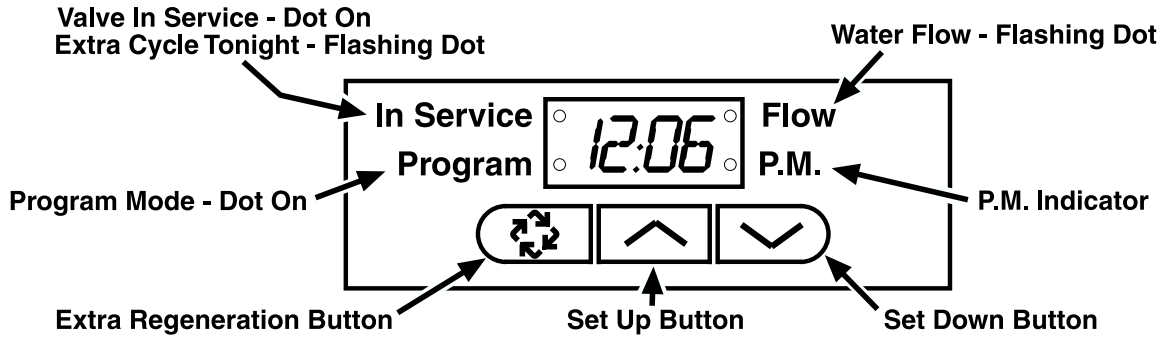
SE TIMER

Table of Contents

Control Start-Up Procedures	3
Display	3
Set Time of Day	3
Start an Extra Regeneration Cycle	3
Set Control Programming	4
Immediate Regeneration Valves With Days Between Regeneration Override Set	5
Delayed Regeneration Valves With Days Between Regeneration Override Set	5
Control Operation During Regeneration	5
Control Operation During Programming	5
Control Operation During A Power Failure	5
2510SE Timer Valve Wiring	6
2750SE Timer Valve Wiring	6
9000SE Valve Wiring	7
2510SE Timer / 2750SE Timer Assembly	8
9000SE Timer Assembly	9
3/4" Turbine Meter Assembly	10
3/4" or 1" Paddle Wheel Meter Cap Assembly	11

Control Start-Up Procedures

Display



ET023-0

In normal operation the **Time Of Day** display alternates with **Volume Remaining** and Tank in Service displays (9000SE Timer only). As treated water is used, the **Volume Remaining** display counts down (in gallons) from a maximum value to zero or (----). Once this occurs a regeneration cycle initiates immediately or delayed to the set **Regeneration Time**. Water flow through the valve is indicated by the flashing **Flow Dot Indicator**.

Time Of Day	Service ●	12:00	● Flow
	Program ○		○ P.M.
833 Gallons of Treated Water Remaining	Service ●	833	● Flow
	Program ○		○ P.M.
0 Gallons of Treated Water Remaining	Service ●	-----	● Flow
	Program ○		○ P.M.
Tank #1 in Service (9000SE Only)	Service ●	-U1-	● Flow
	Program ○		○ P.M.

ET024-0

Set Time of Day



ET025-0

When the valve is **In Service**, push either the **Set Up** or **Set Down** button once to adjust the **Time Of Day** by one digit. Push and hold to adjust by several digits.

Start an Extra Regeneration Cycle



ET026-0

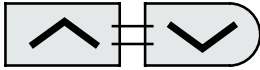
Push the **Extra Regeneration** button to start an extra regeneration tonight. Push and hold the **Extra Regeneration** button for 5 seconds to start an **Extra Regeneration** immediately.

SE TIMER

Control Start-Up Procedures (Cont'd.)

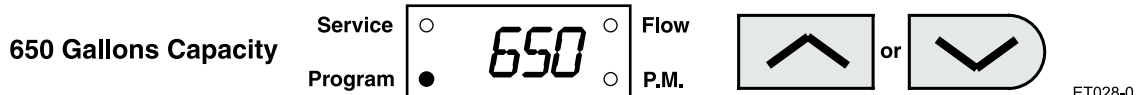
Set Control Programming

1. Push and hold both the **Set Up** and **Set Down** buttons for 5 seconds.



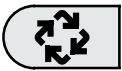
ET027-0

2. Set the Treated Water Capacity. Using the **Set Up** or **Set Down** buttons, set the amount of treated water to flow through the unit before a regeneration is required.



ET028-0

3. Push the **Extra Regeneration** button.



ET026-0

4. Set the **Regeneration Time**. Use the **Set Up** or **Set Down** buttons to set the desired time of day for regeneration to occur.



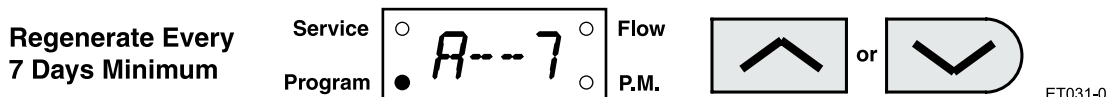
ET030-0

5. Push the **Extra Regeneration** button.



ET026-0

6. Set **Regeneration Day Override**. Use the **Set Up** or **Set Down** buttons to set the maximum number of days before a regeneration cycle must occur.



ET031-0

7. Push the **Extra Regeneration** button to exit the program.*



ET026-0

***NOTE: If setting up the system for the first time, perform the following Fast Cycle Regeneration:**

1. Push the **Extra Regeneration** button for 5 seconds to force an extra regeneration immediately.
2. Once the valve reaches Regen Step #1, let water run to drain for approximately 5 minutes.
3. Push the **Extra Regeneration** button once to advance valve to Regen Step #2.
4. Push the **Extra Regeneration** button once to advance valve to Regen Step #3 (if active).
5. Push the **Extra Regeneration** button once to advance valve to Regen Step #4 (if active).
6. Push the **Extra Regeneration** button once to advance valve to Regen Step #5 (if active).
7. Push the **Extra Regeneration** button once more to advance the valve back to **Service**.

Control Start-Up Procedures (Cont'd.)

Immediate Regeneration Valves With Days Between Regeneration Override Set

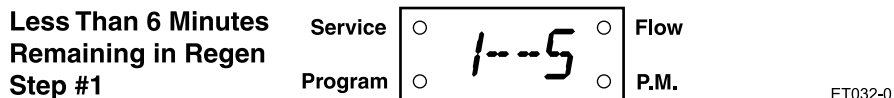
When the valve reaches its set **Days Since Regeneration Override** value, a regeneration cycle initiates immediately. This event occurs regardless of the **Volume Remaining** display having reached zero gallons.

Delayed Regeneration Valves With Days Between Regeneration Override Set

When the valve reaches its set **Days Since Regeneration Override** value a regeneration cycle initiates at the preset **Regeneration Time**. This event occurs regardless of the **Volume Remaining** display having reached zero gallons.

Control Operation During Regeneration

In Regeneration the control displays a special Regeneration display. In this display the control shows the current regeneration step number the valve is advancing to, or has reached, and the time remaining in that step. The step number that displays flashes until the valve completes driving to this regeneration step position. Once all regeneration steps are complete the valve returns to **Service** and resumes normal operation. For Example:



Pushing the **Extra Cycle** button during a regeneration cycle immediately advances the valve to the next cycle step position and resumes normal step timing.

Control Operation During Programming

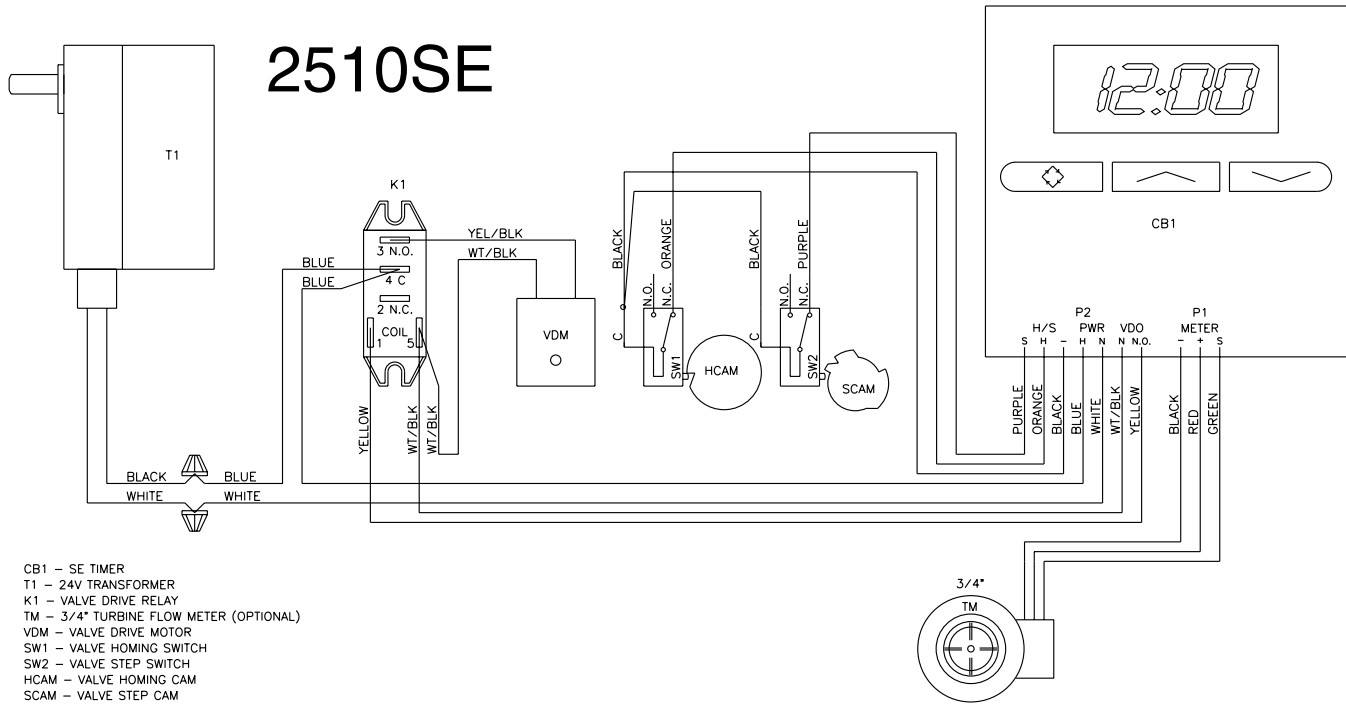
The control only enters the **Program Mode** with the valve **In Service**. While in the **Program Mode** the control continues to operate normally monitoring water usage and keeping all displays up to date. Control programming is stored in memory permanently. There is no need for battery backup power.

Control Operation During A Power Failure

During a power failure all control displays and programming are stored for use upon power re-application. The control retains these values for years, if necessary, without loss. The control is fully inoperative and any calls for regeneration are delayed. The control, upon power re-application, resume normal operation from the point that it was interrupted. An indication that a power outage has occurred is an inaccurate **Time Of Day** display.

SE TIMER

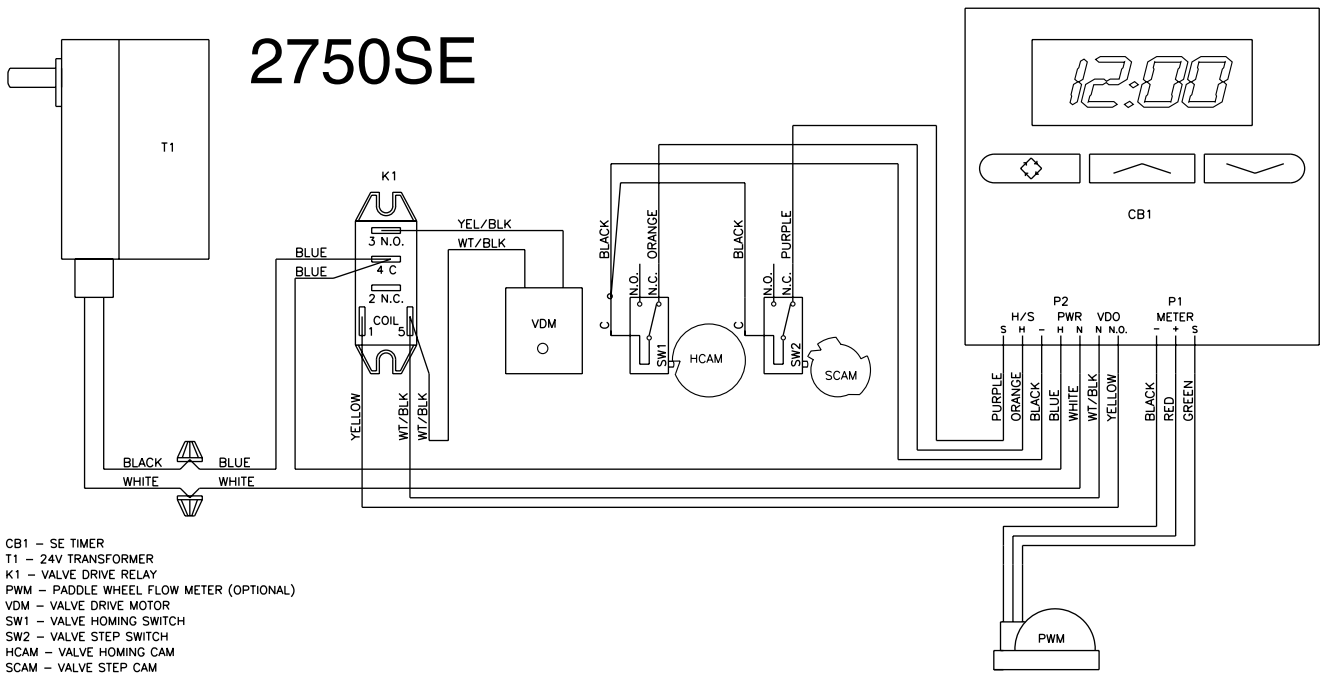
2510SE Timer / 2750SE Timer Valve Wiring



- CB1 - SE TIMER
- T1 - 24V TRANSFORMER
- K1 - VALVE DRIVE RELAY
- TM - 3/4" TURBINE FLOW METER (OPTIONAL)
- VDM - VALVE DRIVE MOTOR
- SW1 - VALVE HOMING SWITCH
- SW2 - VALVE STEP SWITCH
- HCAM - VALVE HOMING CAM
- SCAM - VALVE STEP CAM

NOTE:
DEPENDING ON APPLICATION, VALVE STEP CAM APPEARANCE WILL VARY.
REGARDLESS OF CAM TYPE USED, WIRING TO SWITCHES SW1 AND SW2 WILL REMAIN AS SHOWN.

ET033-0



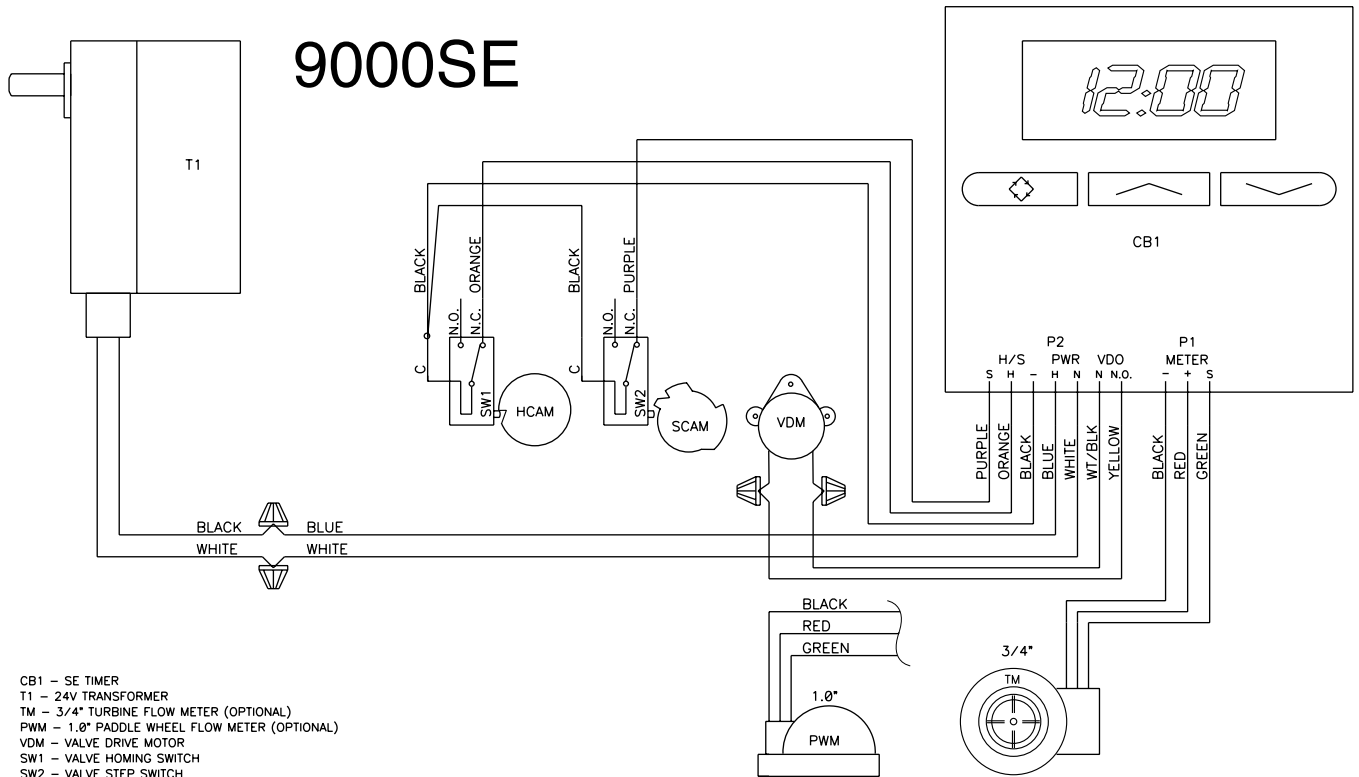
- CB1 - SE TIMER
- T1 - 24V TRANSFORMER
- K1 - VALVE DRIVE RELAY
- PWM - PADDLE WHEEL FLOW METER (OPTIONAL)
- VDM - VALVE DRIVE MOTOR
- SW1 - VALVE HOMING SWITCH
- SW2 - VALVE STEP SWITCH
- HCAM - VALVE HOMING CAM
- SCAM - VALVE STEP CAM

NOTE:
DEPENDING ON APPLICATION, VALVE STEP CAM APPEARANCE WILL VARY.
REGARDLESS OF CAM TYPE USED, WIRING TO SWITCHES SW1 AND SW2 WILL REMAIN AS SHOWN.

ET034-0

SE TIMER

9000SE Valve Wiring



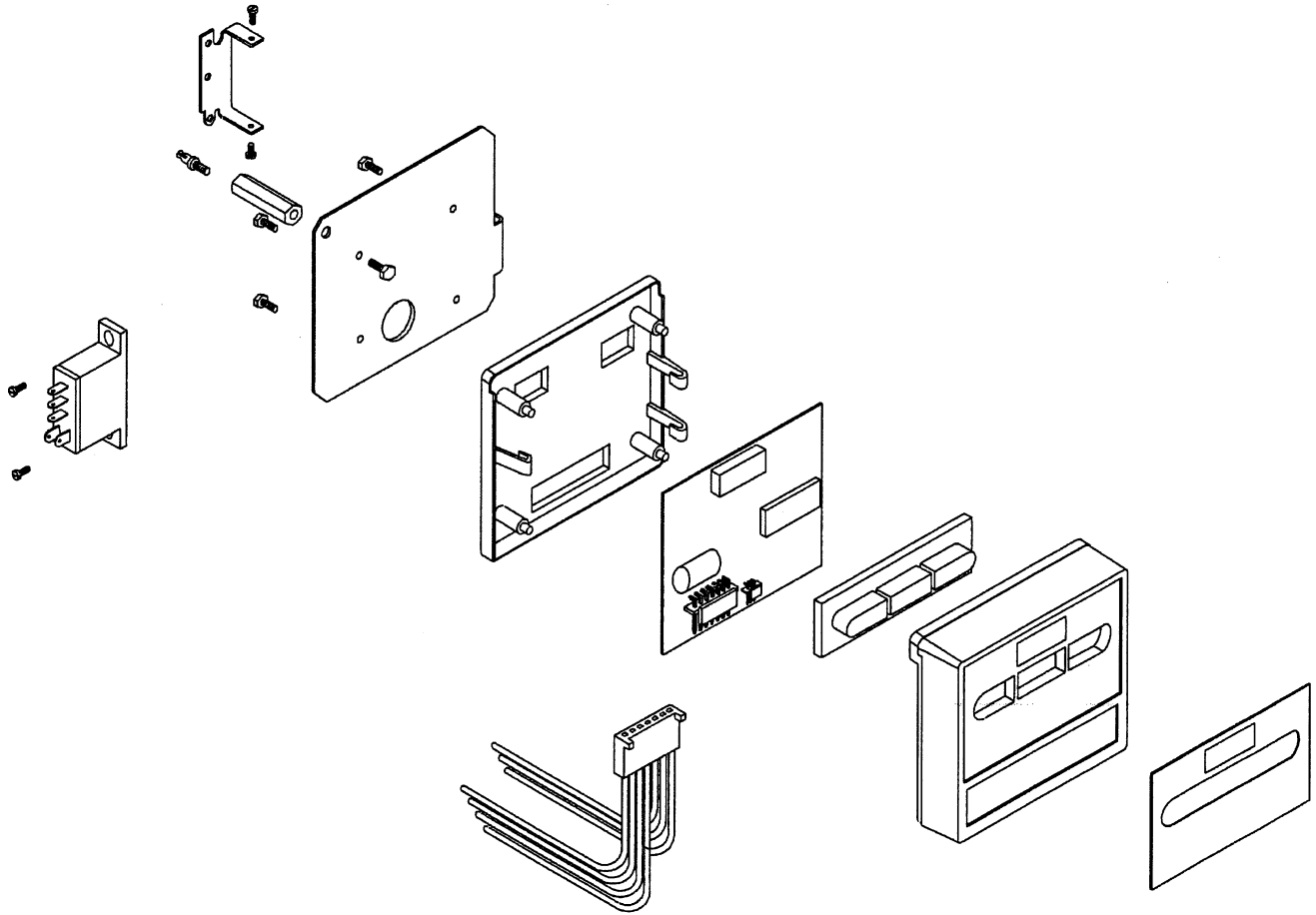
- CB1 - SE TIMER
- T1 - 24V TRANSFORMER
- TM - 3/4" TURBINE FLOW METER (OPTIONAL)
- PWM - 1.0" PADDLE WHEEL FLOW METER (OPTIONAL)
- VDM - VALVE DRIVE MOTOR
- SW1 - VALVE HOMING SWITCH
- SW2 - VALVE STEP SWITCH
- HCAM - VALVE HOMING CAM
- SCAM - VALVE STEP CAM

NOTE:
 DEPENDING ON APPLICATION, VALVE STEP CAM APPEARANCE WILL VARY.
 REGARDLESS OF CAM TYPE USED, WIRING TO SWITCHES SW1 AND SW2 WILL REMAIN AS SHOWN.

ET035-0

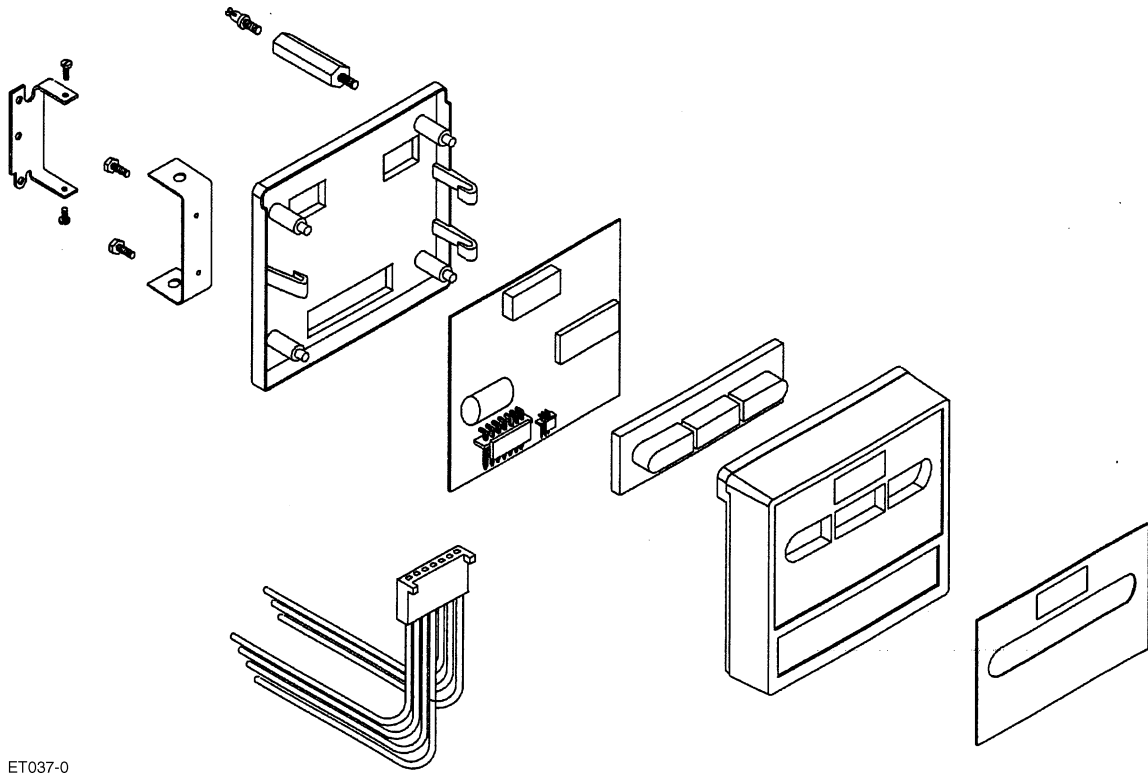
SE TIMER

2510SE Timer / 2750SE Timer Assembly



ET036-0

Item No.	No.Req'd	Part No.	Description
1	1	configured item	assembly, 2510SE Timer / 2750SE Timer

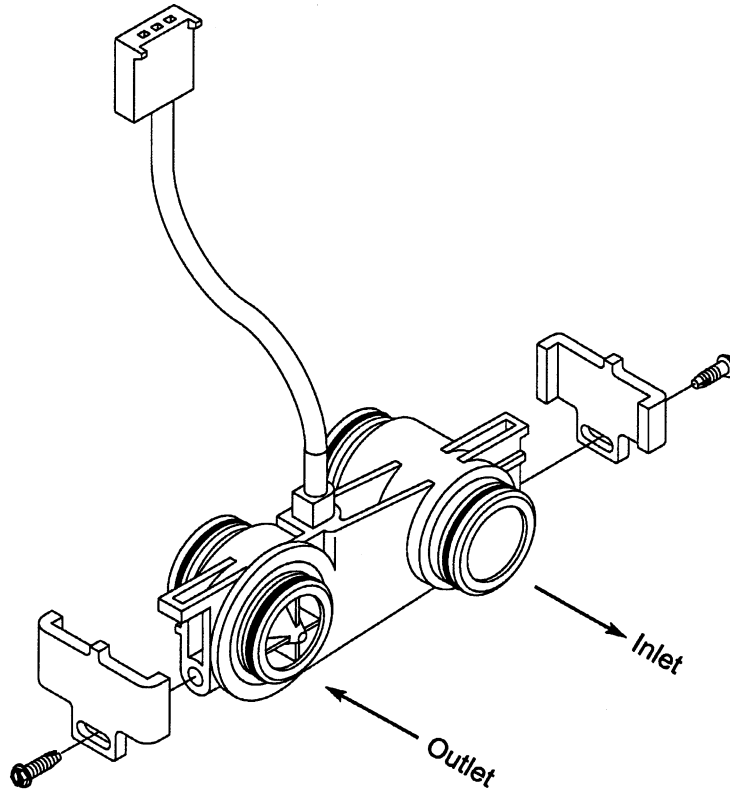


ET037-0

Item No.	No.Req'd	Part No.	Description
1	1	configured item	assembly, 9000SE Timer

SE TIMER

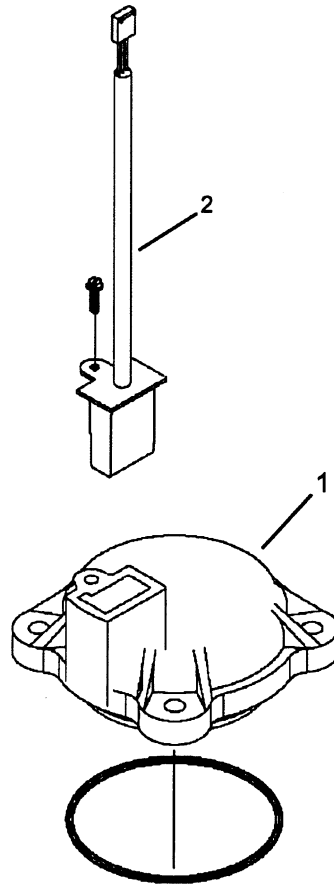
3/4" Turbine Meter Assembly



ET038-0

Item No.	No.Req'd	Part No.	Description
1	1	60626	assembly, meter without harness
2	1	60626-01	assembly, meter with harness

3/4" or 1" Paddle Wheel Meter Cap Assembly



ET039-0

Item No.	No.Req'd	Part No.	Description
1	1	14716	assembly, meter cap
2	2	19121-01	harness assembly, flow meter

